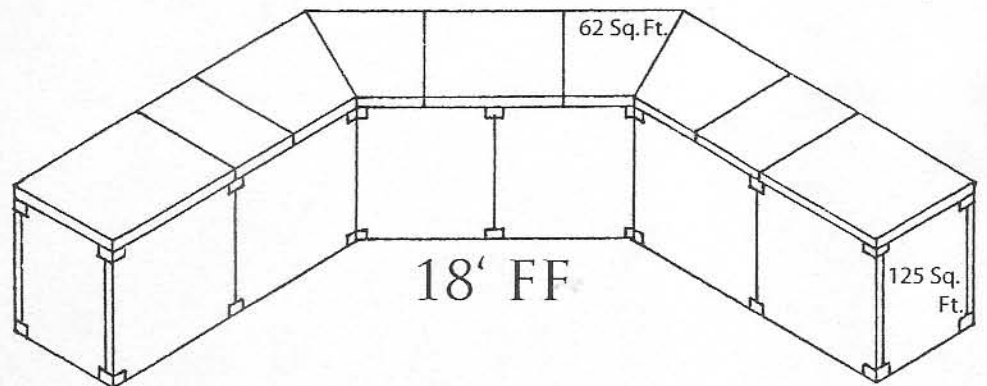
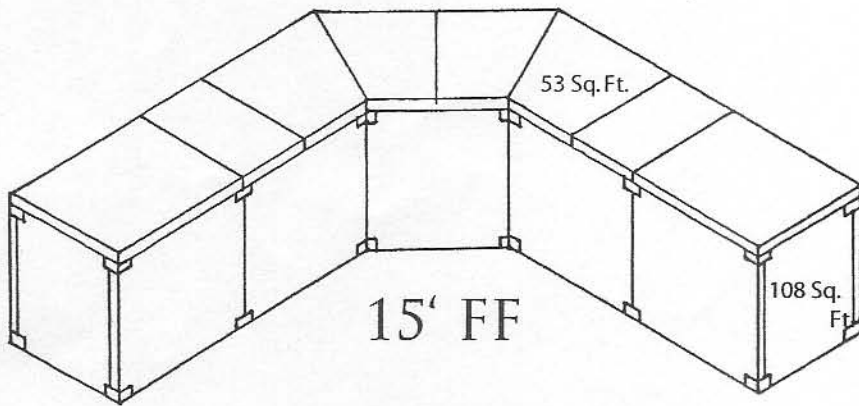
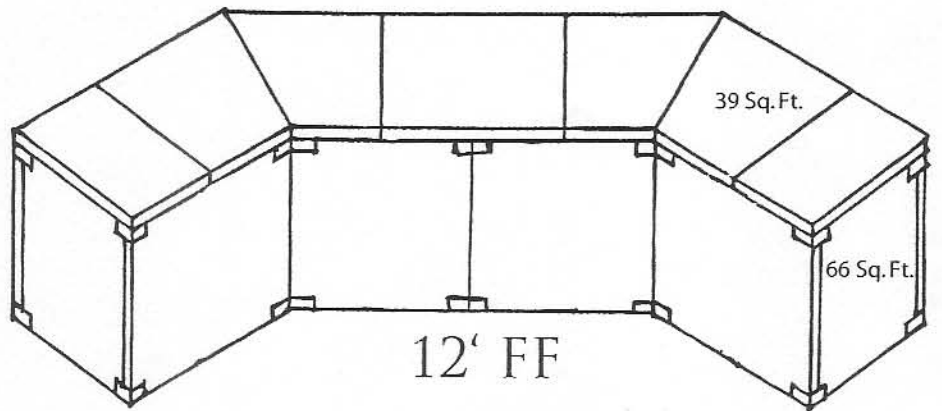
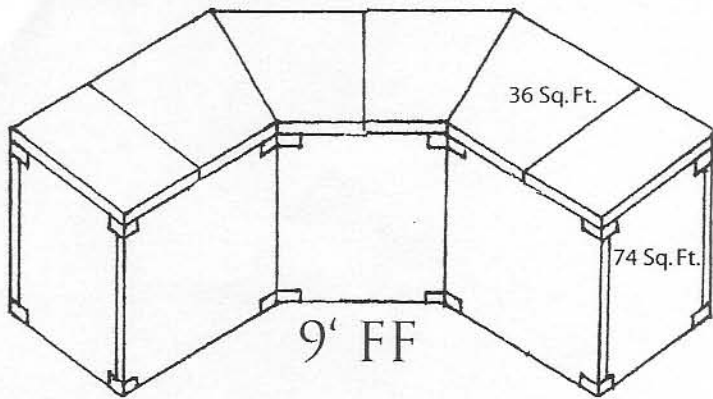
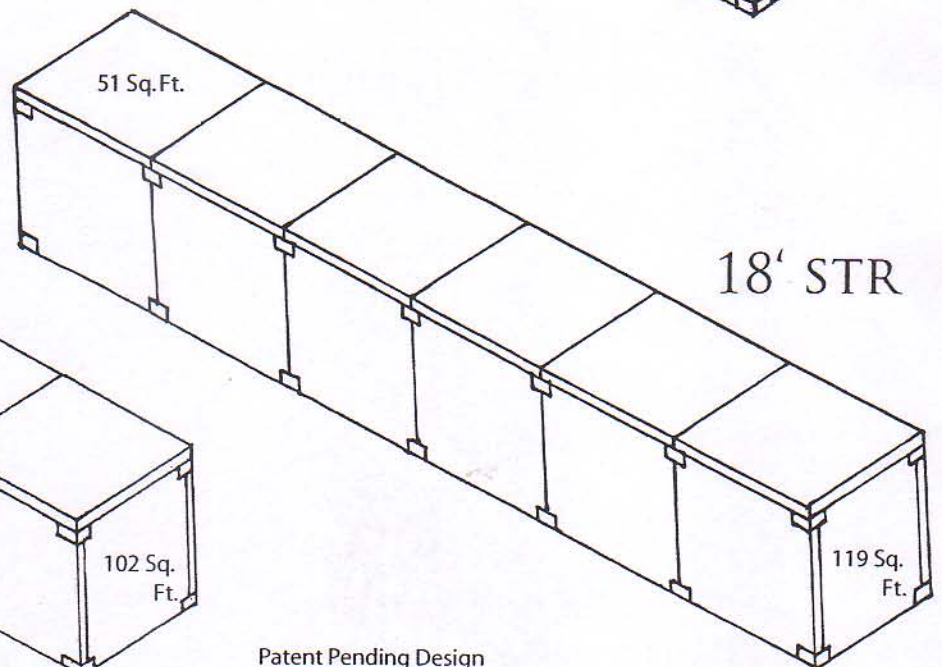
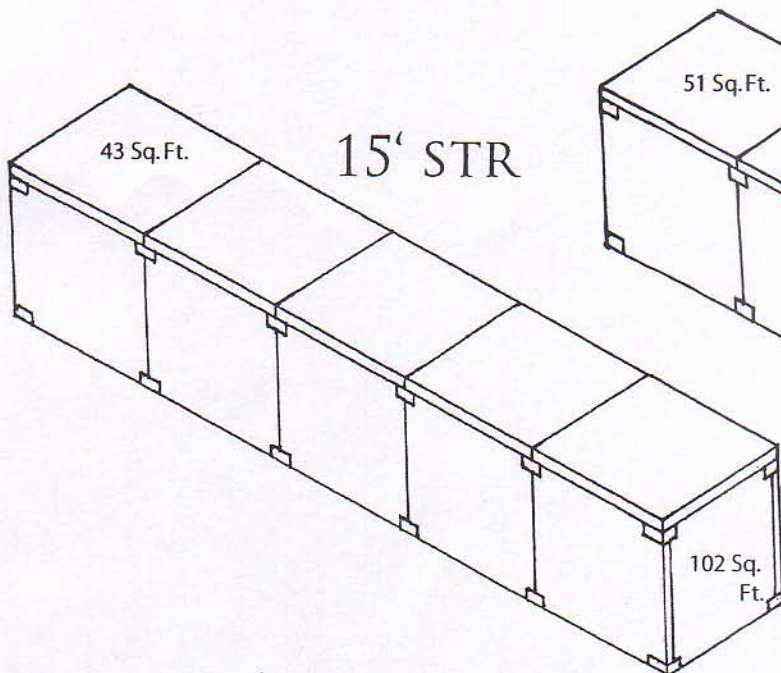
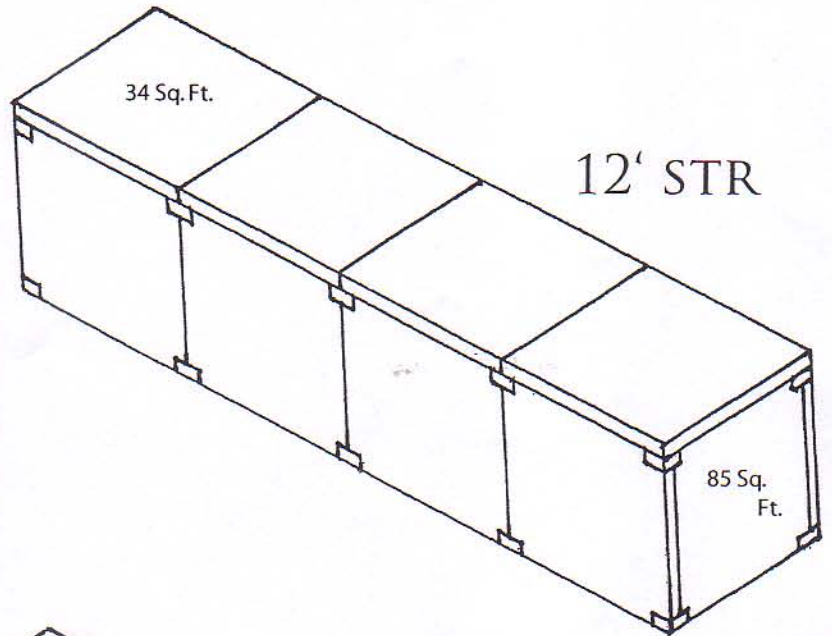
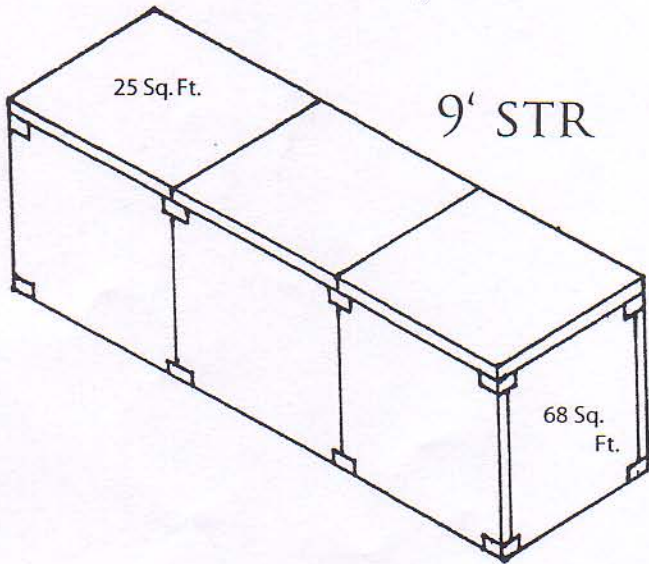
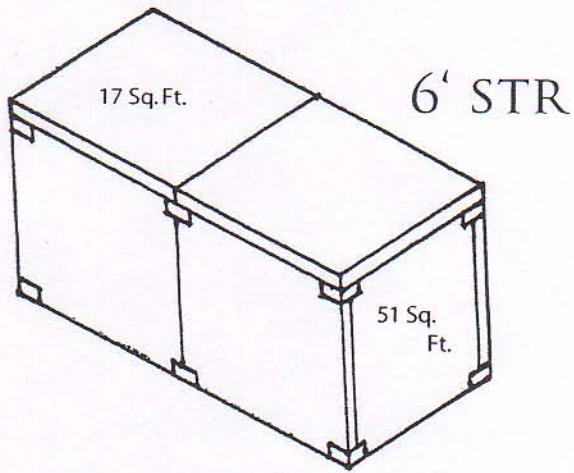


FF MODEL CABINET COMPONENT SYSTEMS

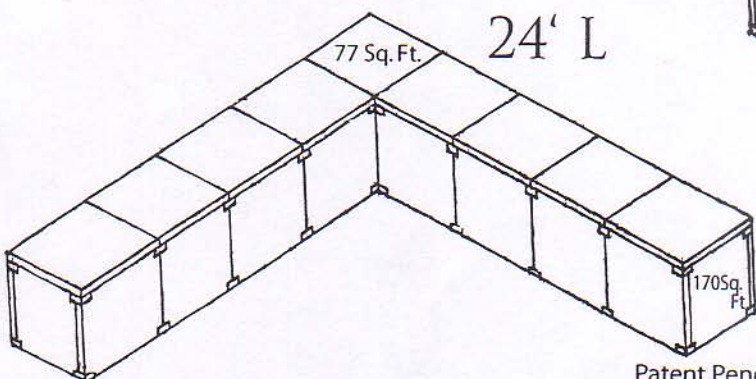
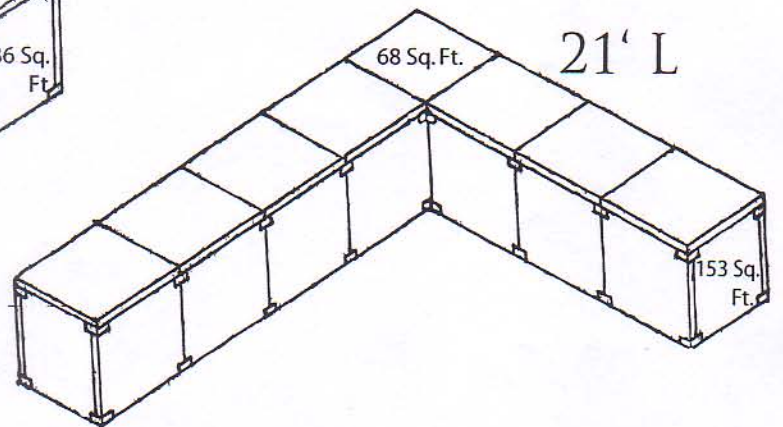
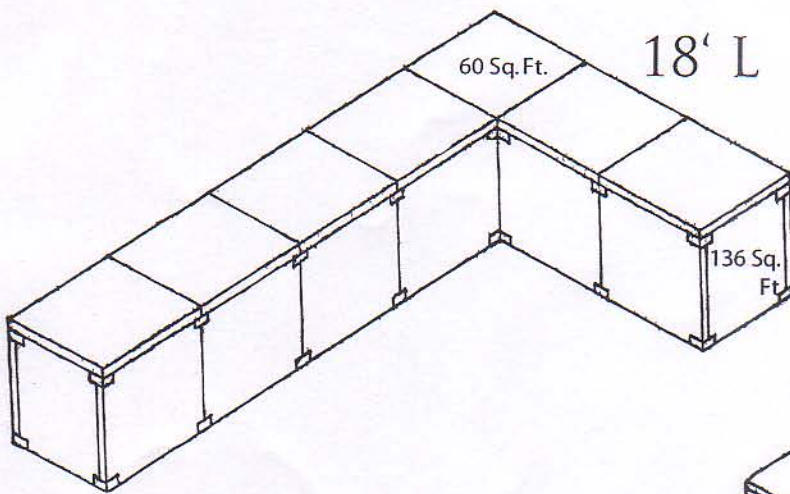
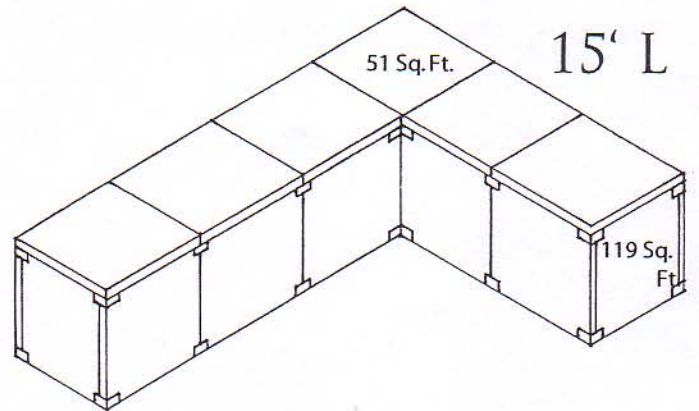
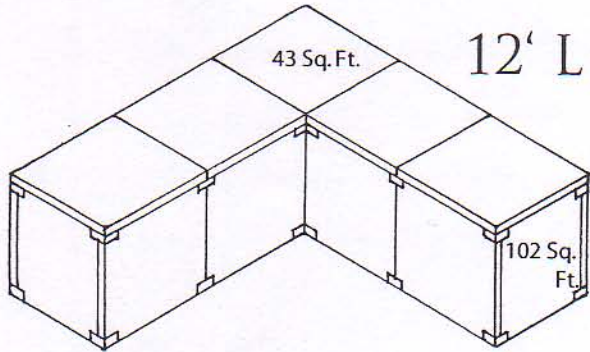
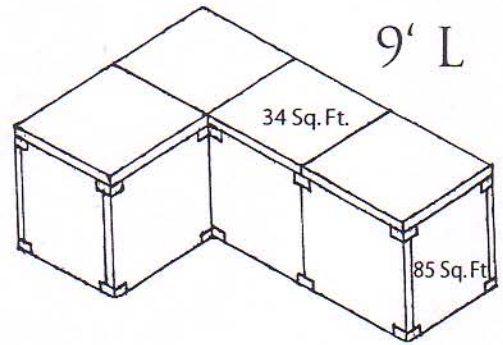


STR CABINET COMPONENT SYSTEMS



Patent Pending Design

L MODEL CABINET COMPONENT SYSTEMS



Patent Pending Design

U MODEL CABINET COMPONENT SYSTEMS

